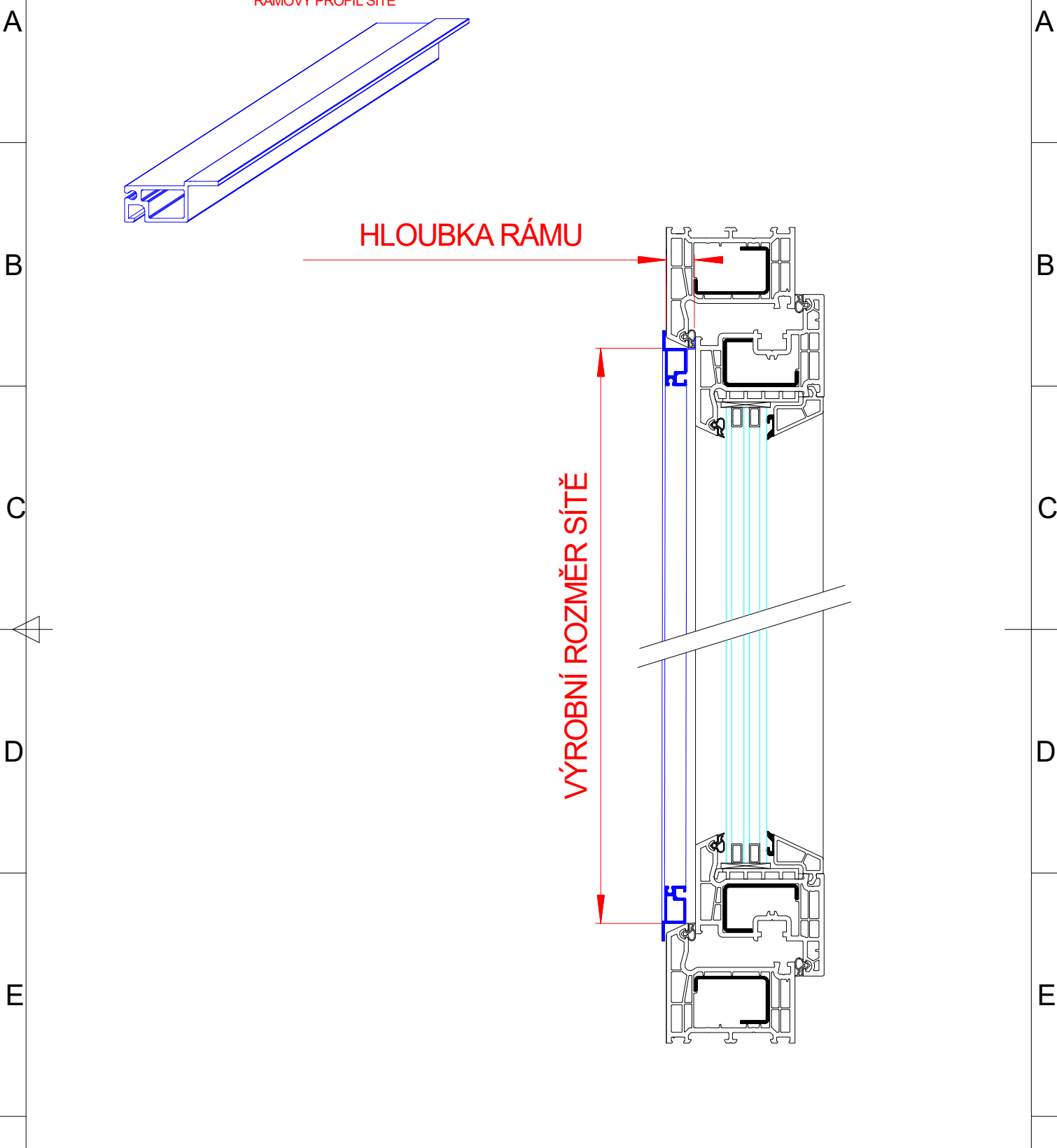
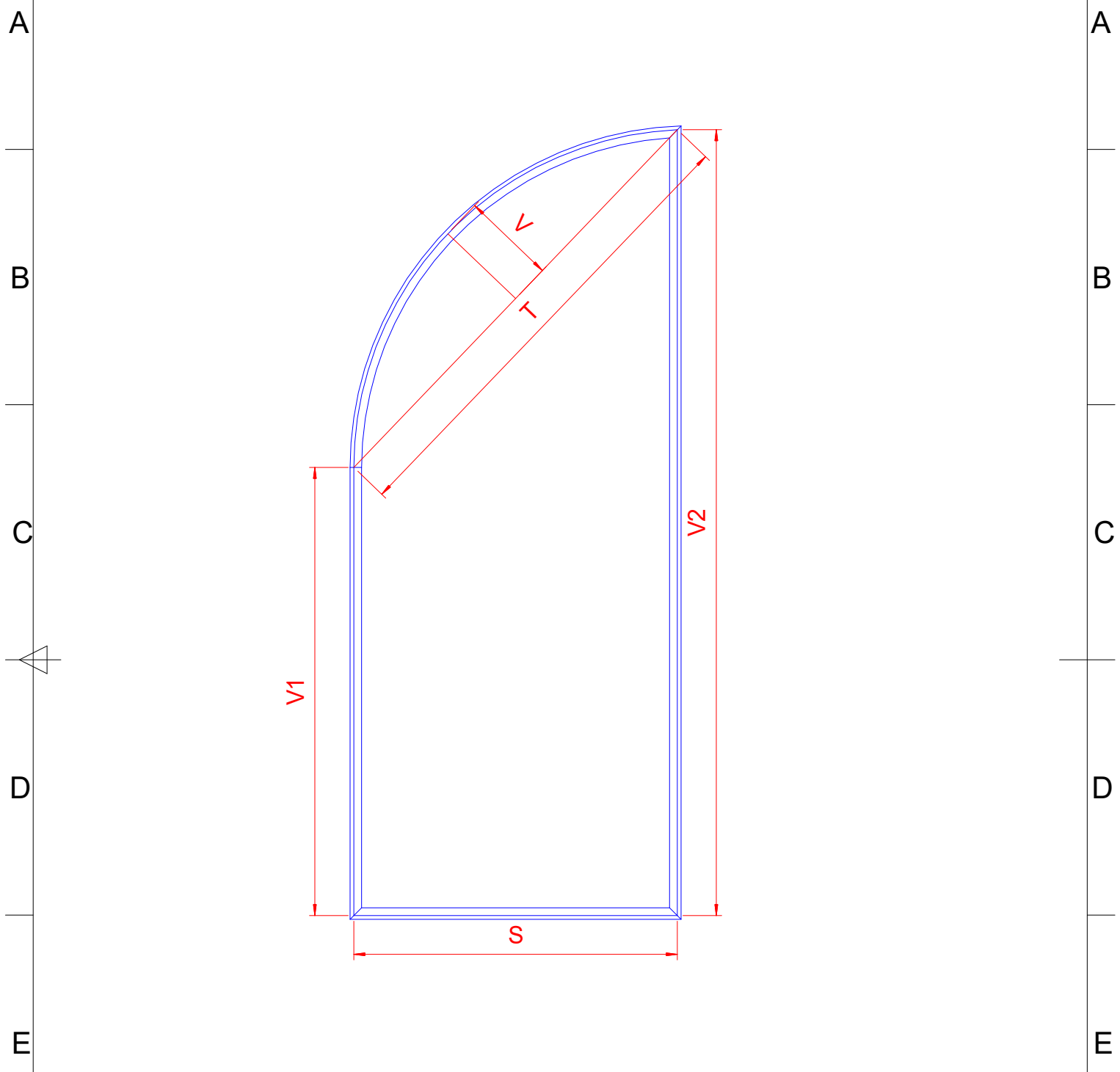


1	2	3	4
RevNo	Revision note	Date	Signature
			Checked




Itemref	Quantity	Title/Name, designation, material, dimension etc	Article No./Reference
Designed by MATULKA	Checked by	Approved by - date	Filename MERENI_SITE
		MERENI_SITE	
		MERENI_SITE	Edition 0
			Sheet

1	2	3	4
RevNo	Revision note	Date	Signature
			Checked



NUTNÉ VÝROBNÍ ROZMĚRY
ZPRAVIDLA SE JEDNÁ O SVĚTLOST OKENNÍHO RÁMU
POHLED Z EXTERIÉRU

Itemref	Quantity	Title/Name, designation, material, dimension etc	Article No./Reference		
Designed by MATULKA	Checked by	Approved by - date	Filename MERENI SITI TYP5	Date 2025	Scale 1:15
			MERENI SITI TYP5		
			MERENI SITI TYP5	Edition 0	Sheet

1	2	3	4
RevNo	Revision note	Date	Signature
			Checked

A

A

B

B

C

C

D

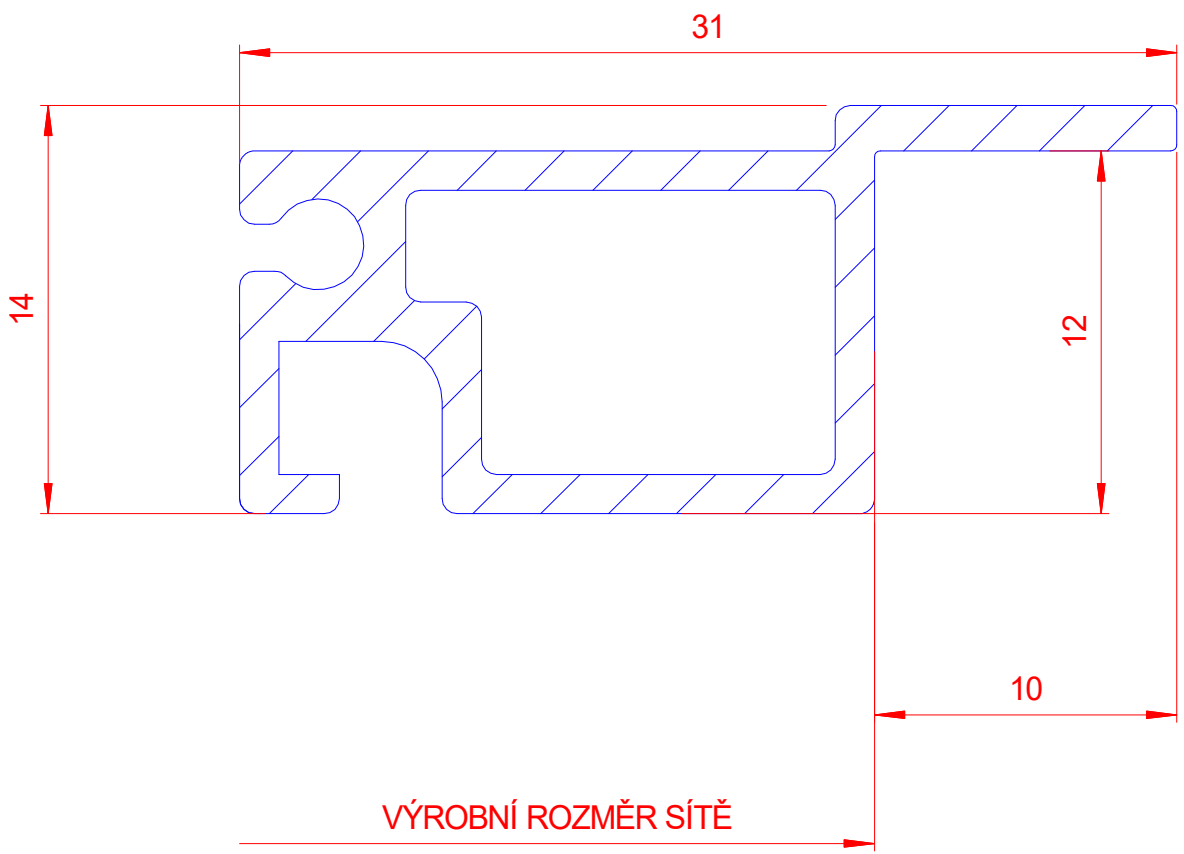
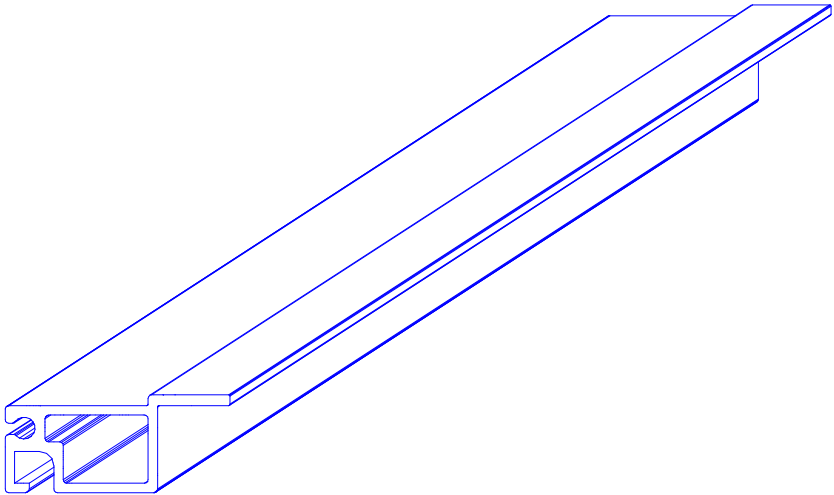
D

E

E

F

F



Itemref	Quantity	Title/Name, designation, material, dimension etc			Article No./Reference	
Designed by MATULKA	Checked by	Approved by - date	Filename EXT_S_LEMEM_1	Date 2018	Scale 4:1	
			EXT_S_LEMEM_1			
			EXT_S_LEMEM_1	Edition 0	Sheet	