

Dřevěné žaluzie

- Wooden blinds - Holzjalousien



www.systra.cz

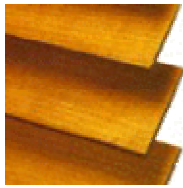


®

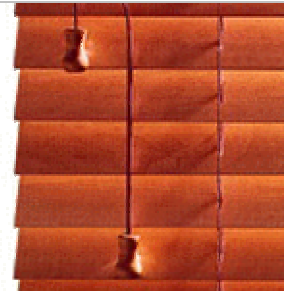
systra

Wooden blinds

... a breath of the nature on your windows...



People regularly come back after "disillusionment" from fantastic artificial materials to traditional natural materials. These materials and especially the wood always achieve to fascinate us with their simple beauty, utility and durability. Let invite yourself to the world of the beautiful wooden scents and soft tones of the wooden blinds Systra®.

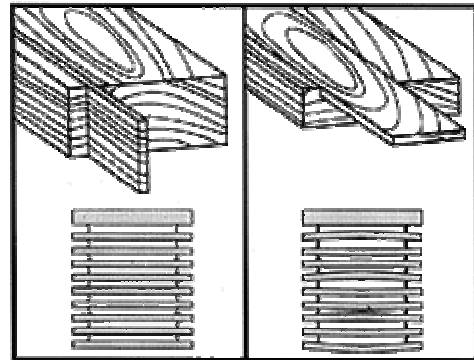


...about the wood, manufacturing, surface treatment ...



Producers of the wooden slats often produce new collections. Please, ask our manufacturing about the actual available stock commodities.

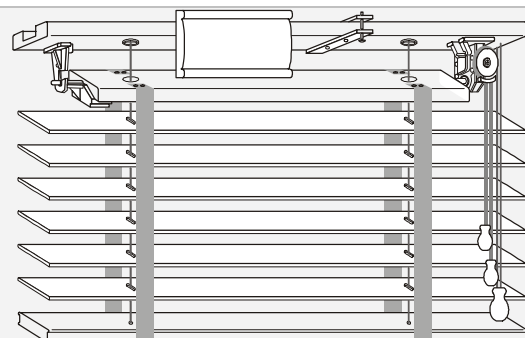
The material used is American Basswood, light and solid – ideal for thin slats. The trees are ready for harvesting already after 30 years. The material is stored in a special room with a constant relative moisture. These conditions are guarantee for the quality. This is the basic measure against the slat warping. The cross-grain cutting is the best security against the slat twisting. The surface is treated with UV-paints. The surface is guaranteed to be smooth and without raised fibers.



It is possible to choose various hues of the textiles – ladder strings and cords - to the slats – ask us about the actual offer.

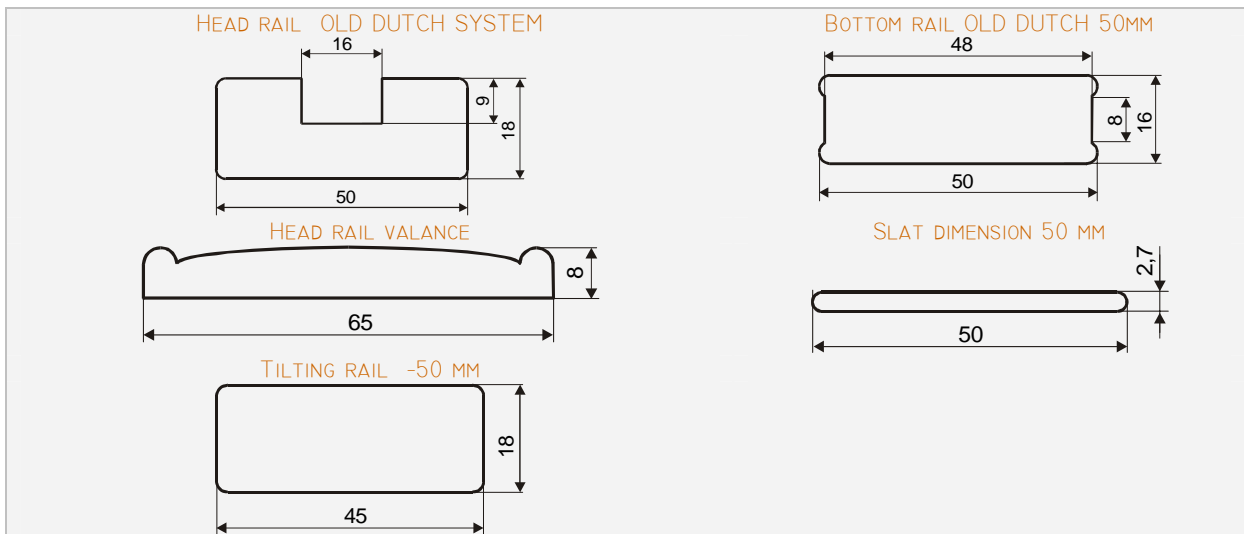


The components are produced for the OLD DUTCH SYSTEM in the mat bronze finish with a decent ancient patina...



...control systems, types...

	<p>OLD DUTCH SYSTEM (CLASSIC) - slats 50 mm This system is known longer than 100 years. The basic system consists of 3-rail tilting system. A simple mechanism is mounted in the head rail that allows inclining and lifting of the slats by cords.</p>
	<p>The cords are closed with wooden "bells" in the slat colours. The cord with two identical bells is used for slat tilting, the cord with the bigger bell is then used for slat lifting.</p>
	<p>The slats in this system are carried in the textile ladder tapes that can be either in the same hue as the slats or varicoloured for higher visual contrast.</p>
	<p>The tilting and lifting mechanism is made from a high quality aluminium alloy. It is offered in three finish types: silver, black and dark bronze (see the picture).</p>
	<p>SYSTEM SIMPLE MOTION - slats 27, 35 and 50 mm We produce this system with slats 27, 35 and 50 mm. The head rail is made from steel plate. The control mechanism is placed in the head rail. The slats are tilted and lifted with the endless chain by the help of an epicyclic gear and string ladder slipping in the winding mechanism. There are used thin string ladders for this system.</p>





NO. 01
WHITE



NO. 02
BLEACHED



NO. 04
GREY



NO. 05
NATURAL



NO. 10
BEECH



NO. 15
CHERRY



NO. 16
OLD GREY



NO. 17
ATLANTIC BLUE



NO. 18
SPRUCE GREEN



NO. 20
WALNUT



NO. 21
GOLDEN OAK



NO. 22
HONDURAS



NO. 25
TEAK

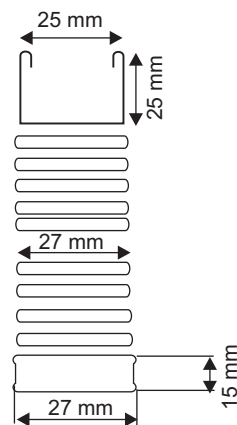


NO. 30
MAHOGANY

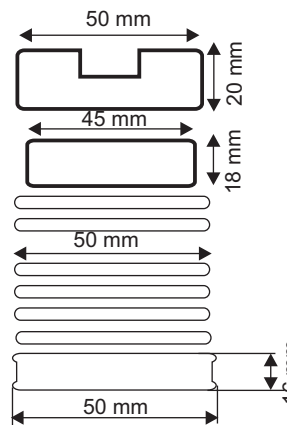
BLINDS with wooden slats 27,35 and 50 mm

Product Systra no. 23

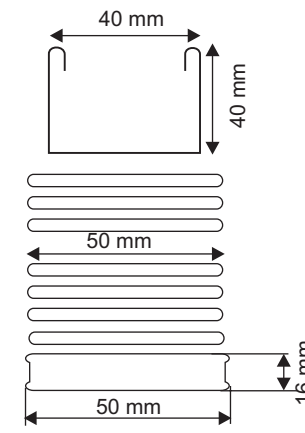
Maximum **width** 240cm, maximum **height** 250 cm, maximum **area** 2,5 m²
 The width expresses the slat length, the height is including the head and bottom rails.
Head rail with dimensions 25x25 mm, bottom rail 27x15 mm or 35x16 mm, slats 27 or 35mm wide. Valance height 32 mm(for 27mm slats) or 35mm (for 35mm slats).
Material: head rail from steel plate horní, varnished with coil coating on both sides, bottom rail from wood, wooden slats, wooden valance (BASSWOOD).
Colour: head rails acc. to RAL, textile components and slats acc. to the current offer from Systra.
Basic version: manual control with the gear SOMFY CD 25, so-called endless ball chain (tilting and lifting of the slats) or with electric drive 24V.
 Winding of the cord - diameter 1,4 mm with winding mechanism SOMFY CTS 25, that is placed in the head rail.
Fixing: installation bracket (top/face fixing, top fixing)
Application: sun protection and light regulation in interiors, shielding of window openings



Type no. 23



Type no. 57 - OLD DUTCH SYSTEM



Type no. 58 - SIMPLE MOTION

Product Systra no. 57 - OLD DUTCH SYSTEM

Maximum **width** 250cm, maximum **height** 300 cm, maximum **area** 7,5 m².
 The width expresses the slat length, the height is including the head and bottom rails.
Head rail with dimensions 50x18 mm, bottom rail 50x16 mm, slats 50mm wide*. Valance 56x8 mm.
Material: head and bottom rails from wood, wooden slats (BASSWOOD).
Colour: slats and wooden rails acc. to the current offer, textile components acc. to the current offer from Systra. Tape ladder, possible colour versions, patterns.
Basic version: manual control with cord - diameter 3,5 mm (slat tilting) and cord - diameter 2,3 mm (slat lifting).
Application: sun protection and light regulation in interiors, shielding of window openings.
 *possible also with 35mm slat

Type no. 23	blind height "H" (mm)				
	1000	1500	2000	2500	
lifted bunch height "h" (mm)	190	270	350	430	

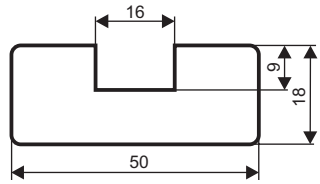
Type no. 57 OLD DUTCH SYSTEM	blind height "H" (mm)				
	1000	1500	2000	2500	3000
lifted bunch height "h" (mm)	200	250	300	350	400

Product Systra no. 58 - SIMPLE MOTION

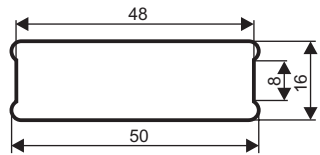
Maximum **width** 250cm, maximum **height** 250 cm, maximum **area** 5 m².
 The width expresses the slat length, the height is including the head and bottom rails.
Head rail with dimensions 40x40 mm, bottom rail 50x16 mm, slats 50mm wide**.
Material: head rail from varnished steel plate, wooden bottom rails, wooden slats (BASSWOOD).
Colour: slats and wooden rails acc. to the current offer, textile components acc. to the current offer from Systra. String ladder white, brown, grey.
Basic version: manual control with the endless ball chain or with electric drive 230V.
 Winding of the cord - diameter 1,4 mm with winding mechanism SOMFY CTS 25.
Application: sun protection and light regulation in interiors, shielding of window openings.
 **possible also with 35mm slat

Type no. 58 SIMPLE MOTION	blind height "H" (mm)				
	1000	1500	2000	2500	
lifted bunch height "h" (mm)	150	190	230	270	

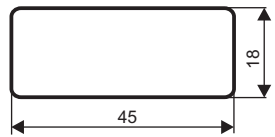
Wooden profiles



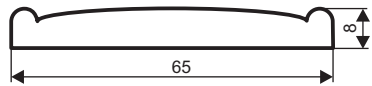
Head rail OLD DUTCH SYSTEM



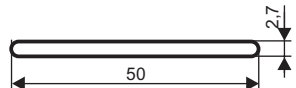
Bottom rail for 50 mm slats



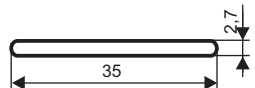
Tilting rail OLD DUTCH SYSTEM



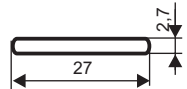
Valance for 50 mm slats



Slat 50 mm

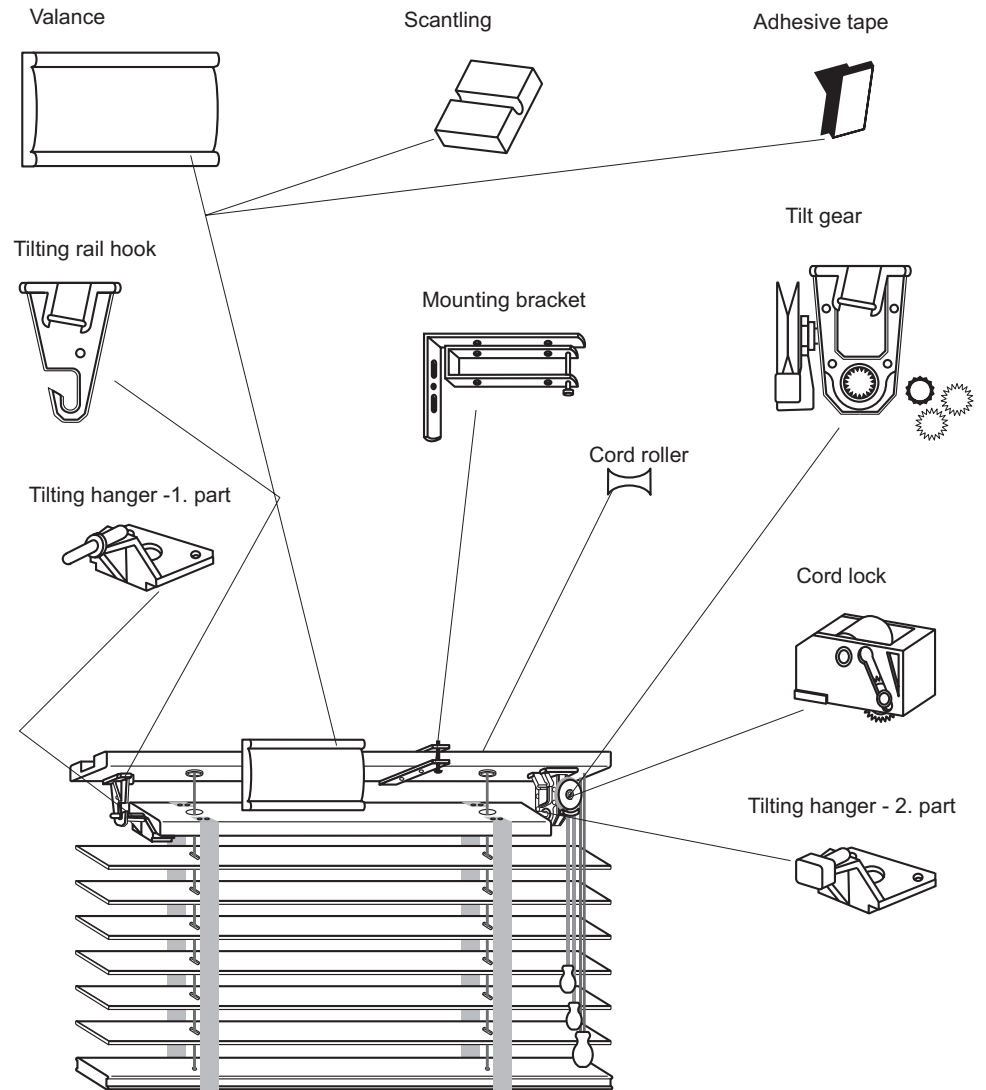


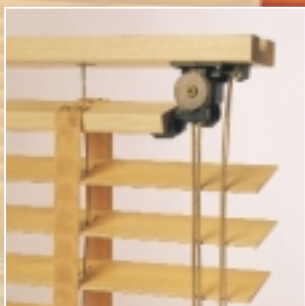
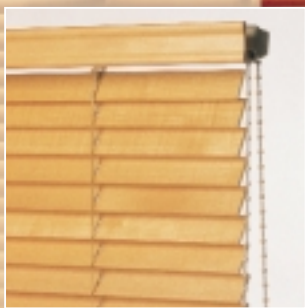
Slat 35 mm



Slat 27 mm

Assembly of the wooden blind OLD DUTCH SYSTEM





Provedení SIMPLE MOTION - ovládání kuličkovým řetízem, lamely 50mm ■ Design SIMPLE MOTION - control with ball-chain, slats 50 mm ■ Ausführung SIMPLE MOTION - Bedienung mit Kugelkette, Lamellen 50 mm

Žaluzie s lamelami 27 mm a krycí lištou ■ Blind with slats 27 mm and batten ■ Jalousie mit Lamellen 27 mm und Deckgalerie

Tradiční celodřevěné provedení OLD DUTCH ■ Traditional design OLD DUTCH with wooden rails ■ Traditionelle Ausführung OLD DUTCH mit Wendeleisten aus Holz