

předokenní rolety

S PLASTOVÝMI, HLINÍKOVÝMI A DŘEVĚNÝMI LAMELAMI



100% ZATEMNĚNÍ



®
systra

Product Systra no. 200 - slats Al 37mm

Maximum width 250 cm, maximum area 5,5 m².

Slats 7 x 37 mm, guiding rails acc. to the installation method, mostly 22 x 53 and 22 x 29 mm.

Material: aluminium slats filled with foamed PUR, others of aluminium alloy.

Colour: white or brown, slats white, brown, beige, silver, grey, bronze, mahogany, creamy, snow white.

Product Systra no. 200 - PVC slats 37mm

Maximum width 200 cm, maximum area 4 m².

Slats 8,5 x 37 mm, guiding rails acc. to the installation method, mostly 22 x 53; 22 x 29 mm.

Material: slats of PVC, others of aluminium alloy.

Colour: white or brown, slats white, brown, grey, beige..

Product Systra no. 237 - slats 37mm of extruded aluminium

Maximum width 300 cm, maximum area 8 m².

Slats 9,5 x 37 mm, guiding rails acc. to the installation method, mostly 22 x 53 and 22 x 29 mm.

Material: slats of extruded aluminium, others of aluminium alloy.

Colour: white or brown, slats white, brown, elox.

COMMON DATA: (for products no. 200 Al, 200 PVC, 237)

The width is defined including the guiding rails, the height is defined including the box.

Supporting components: side consoles (shaft support), guiding rails (if they support the side consoles).

Basic version: manual control by cord or strap

box acc. to the installation method - aluminium for additional installation, or box of polystyrene and woodcemaïr for installation in the carcassing.

Extra version: manual control by crank, electric drive (220 V, input cca 100 W)

with button control, group control, remote control, additional locks.

Fixing: by bolting of the guiding rails and eventually of the box in the window frame or in the lining.

Product Systra no. 200 - K, 237 - K

This is combination of roll-up shutter (product no. 200 and 237) with roll-up insect screen.

Maximum width 200 cm, maximum height 210 cm. The width is defined including the guiding rails, the height is defined including the head and bottom box.

Material: aluminium - bottom box, glass fibre - screen

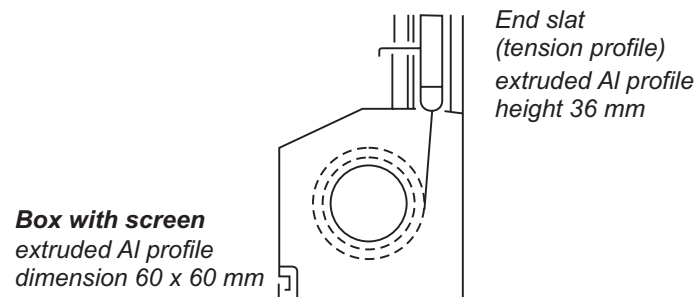
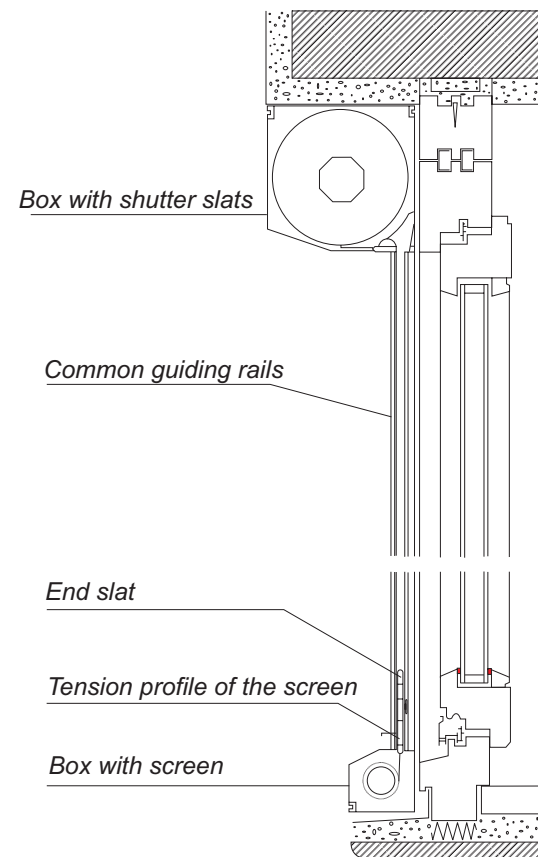
Colour: white, screen - grey

Screen rolling: on the shaft with the spring mechanism with adjustable tension

Functions: 1. end slat (tension profile) of the screen is connected with the bottom slat of the shutter - by rolling the shutter up, the screen is unrolling and vice versa.

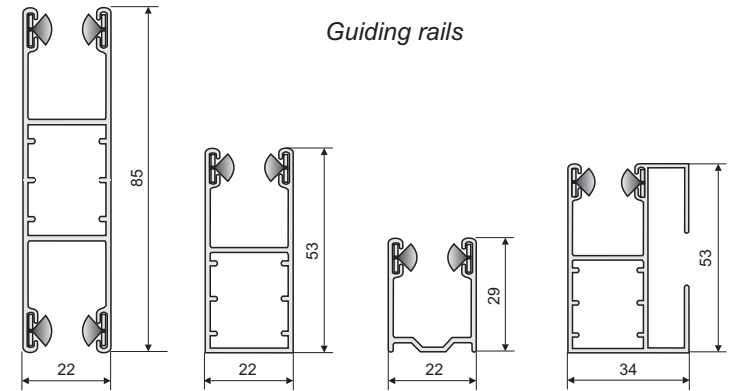
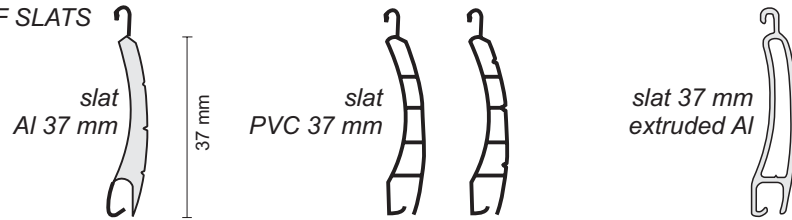
2. end slat is not connected - the shutter works separately, the screen is rolled in the box.

Connecting of the screen and shutter profiles: by a simple turning of 2 hooks in the end slat of the shutter by 90°.

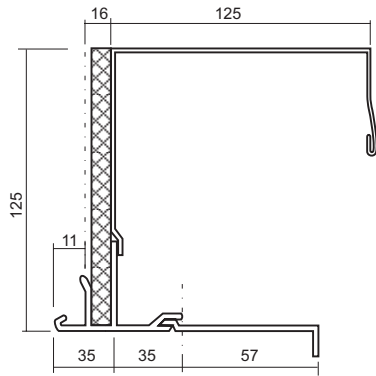




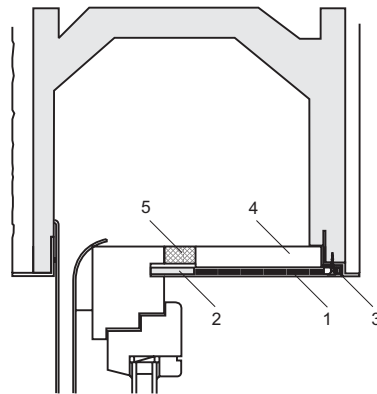
TYPES OF SLATS



Example of 3-parts box with woodcemair plate

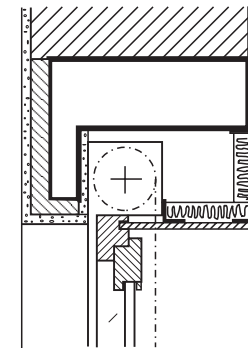


Example of built-in box - thermal insulated



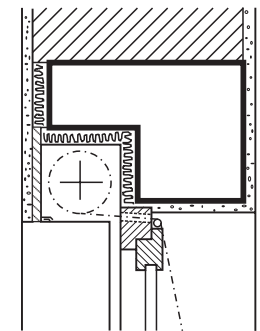
Box dimensions (mm)	Max. shutter height (cm)
160 x 125	105 (shaft 40mm)
172 x 137	145 dtto
185 x 150	180 dtto
200 x 165	225 dtto
215 x 180	290 dtto
205 x 205	342 (shaft 60mm)

1. Cover (current width 18, 22 and 27 cm)
2. Springy element with styropore filling
3. The shutter cover adjoins to the shutter rabbet, where it is tight and permanently screwed
4. 20 mm styropore layer of the hard foam
5. New type of sealing from stable-elastic foam (between the styropore and the window frame)

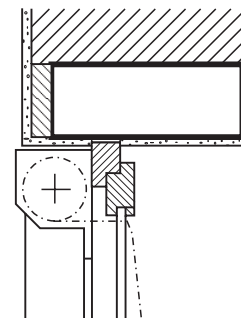


installation in a new building rolling "inward" with woodcemair or polystyrene box

INSTALLATION EXAMPLES (solved individually)

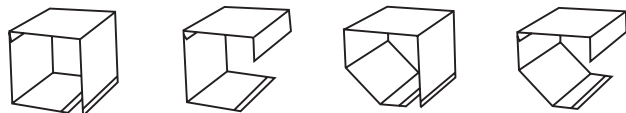


installation in a new building rolling "outward" with box from extruded Al and woodcemair



installation to an existing window

Boxes - examples of shapes



Box dimensions (mm)	Max. shutter height (cm)
125 x 125	105 (shaft 40mm)
137 x 137	145 dtto
150 x 150	180 dtto
165 x 165	225 dtto
180 x 180	290 dtto
205 x 205	342 (shaft 60mm)

ROLL-UP SHUTTER OF PVC

Product Systra no. 205

Maximum width 200 cm, maximum height 250 cm, maximum area 5,5 m².
The width is defined including the guiding rails, the height is defined including the box.

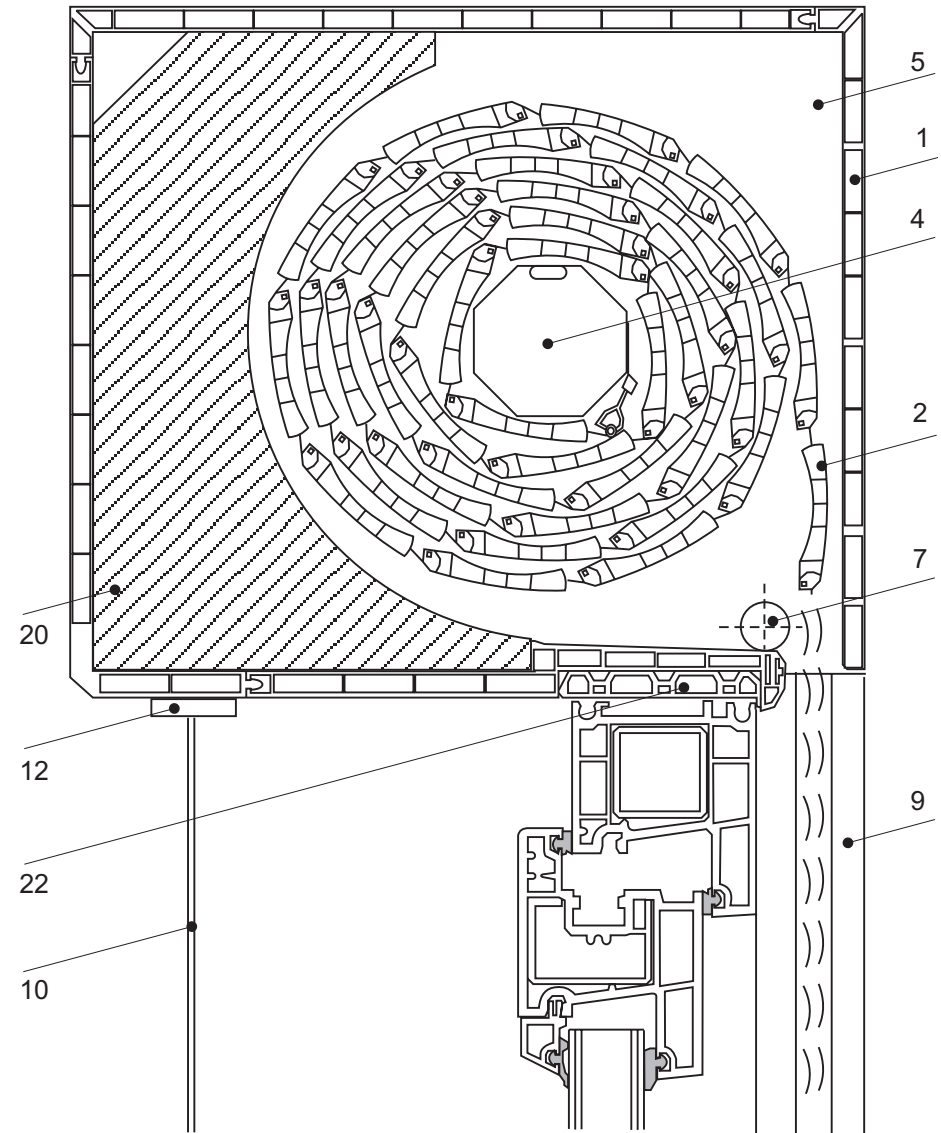
Material: slats of PVC or aluminium

Colour: PVC and aluminium slats acc. to the current offer, other PVC parts white

Basic version: manual control with cord or strap
box of PVC for the installation together with plastic windows

Extra version: manual control by crank, electric drive 220 V,
with button control, group control, remote control

Fixing: by bolting of the guiding rails and eventually of the box in the window frame
or in the lining.



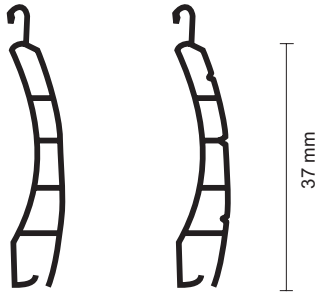
- 1 - PVC box
- 2 - Slats
- 4 - Shaft
- 5 - Side covers with pin
- 7 - Rolling loader

- 9 - Guiding rail
- 10 - Strap
- 12 - Strap bushing
- 20 - Insulation filling
- 22 - Adaptation profile (for window profiles wider than 60 mm)

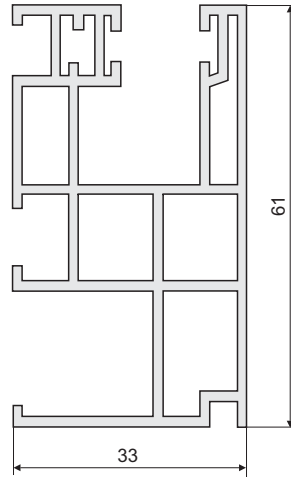


TYPES OF SLATS

slats
PVC 37 mm



GUIDING RAIL

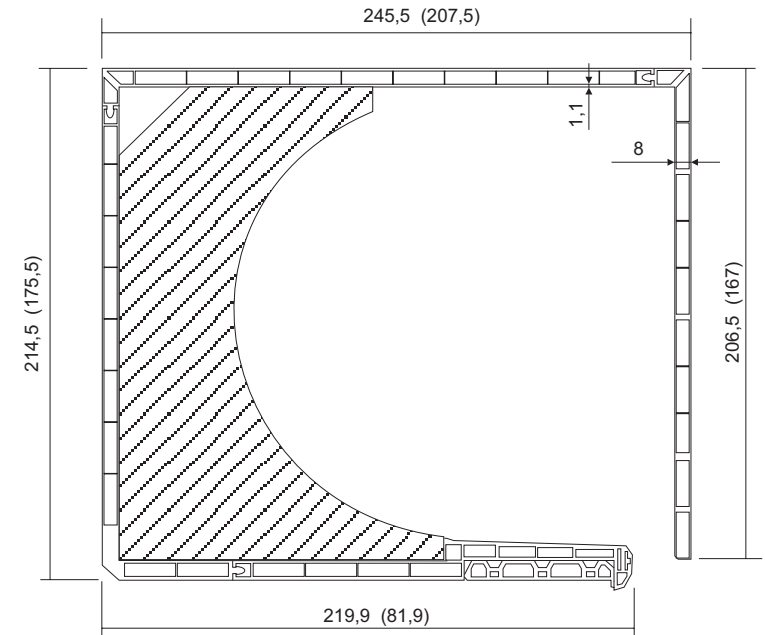


PVC BOX

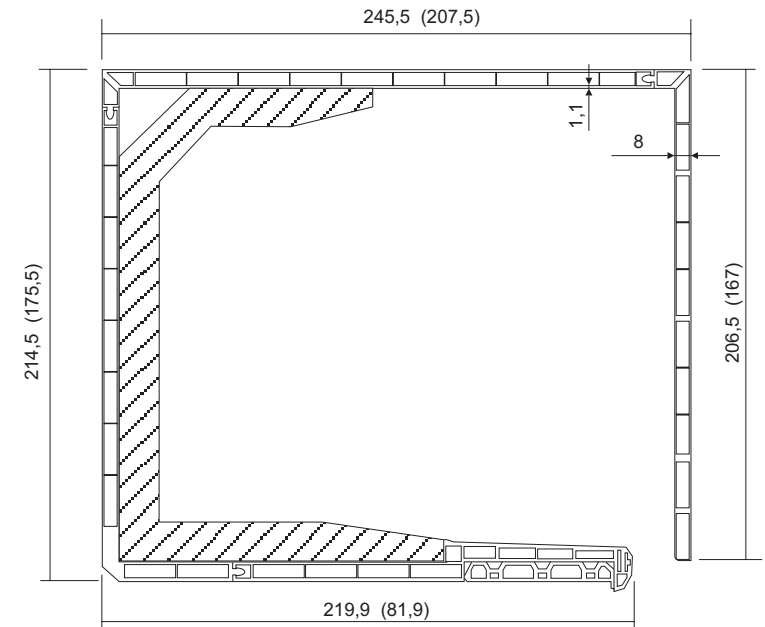
Box dimensions (mm)	Shutter height (cm)
175 x 207,5	100 - 170
214,5 x 245,5	180 - 250

The box dimensions are defined by the shutter height!

PVC BOX K = 0,6 dimension 214,5 x 245,5
(dimension 207,5 x 175,5)



PVC BOX K = 1,2 dimension 214,5 x 245,5
(dimension 207,5 x 175,5)



Product Systra no. 206

Maximum width 350 cm, maximum area 8 m², the width is defined including the guiding rails, the height is defined including the box.

Box dimensions 250 x 250 mm, 300 x 300 mm etc. (depends on the shutter height).
Slats 55 mm, guiding rails acc. to the installation method,
mostly 27 x 75 mm, 27 x 95 mm.

Material: aluminium slats filled with foamed PUR, guiding rails and box of aluminium alloys.

Colour: white or brown, slats: white RAL 9010, grey RAL 7038, brown RAL 8019, beige, silver, wood imitation.

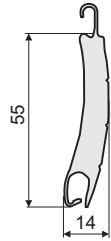
Supporting components: side consoles (shaft support), guiding rails (if they support the side consoles).

Basic version: manual control by cord or strap
box acc. to the installation method - aluminium for additional installation,
or box of polystyrene and woodcemail for installation in the carcassing.

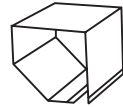
Extra version: manual control by crank, electric drive (220 V, input cca 100 W)
with button control, group control, remote control.

Fixing: by bolting of the guiding rails and eventually of the box in the window frame or in the lining.

Slat Al 55



Box

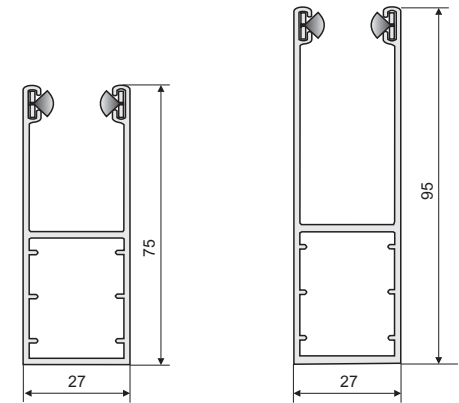


Box dimensions (mm)

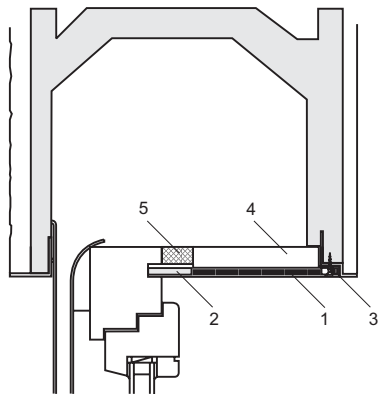
Max. shutter height (cm) (for shaft 60)

150 x 150	820
165 x 165	1140
180 x 180	1530
205 x 205	2250
250 x 250	3500

Guiding rails

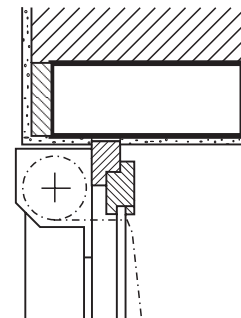


Example of the built-in box
- thermal insulated

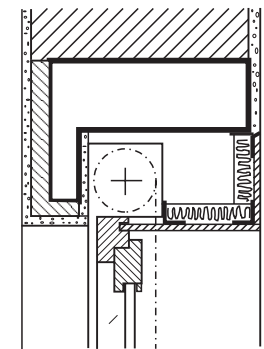


1. Cover (current width 18, 22 and 27 cm)
2. Springy element with styropore filling
3. The shutter cover adjoins to the shutter rabbet, where it is tight and permanently screwed
4. 20 mm styropore layer of the hard foam
5. New type of sealing from stable-elastic foam (between the styropore and the window frame)

INSTALLATION EXAMPLES
(solved individually)



installation to an existing window



installation in a new building
rolling "inward"
with woodcemail or
polystyrene box

WOODEN ROLL-UP SHUTTER

Product Systra no. 203

Maximum width 250 cm, maximum height 250 cm, maximum area 5,5 m². The width is defined including the guiding rails, the height is defined including the box.

The box dimension depends on the height of the shutter - see table

Slats 9 x 30 mm, 12 x 34 mm, 12 x 47 mm, 14 x 47 mm,
guiding rails acc. to the installation method, mostly 22 x 53 mm

Material: slats and bottom rail of noble wood - northern pine,
guiding rails and box of aluminium alloys.

Colour: metal components white or brown, eventually acc. to RAL,
slats acc. to the current offer of coatings.

Supporting components: side consoles (shaft support), guiding rails (if they support
the side consoles).

Basic version: manual control by cord or strap
box acc. to the installation method - aluminium for an additional installation,
or box from polystyrene and woodcemair for installation in the carcassing.

Extra version: manual control by crank, electric drive (220 V, input cca 100 W)
with button control, group control, remote control

Fixing: by bolting of the guiding rails and eventually of the box in the window frame
or in the lining.

Bale diameters:

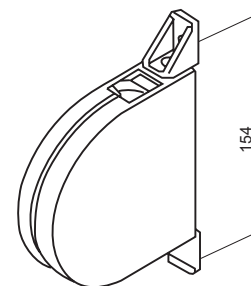
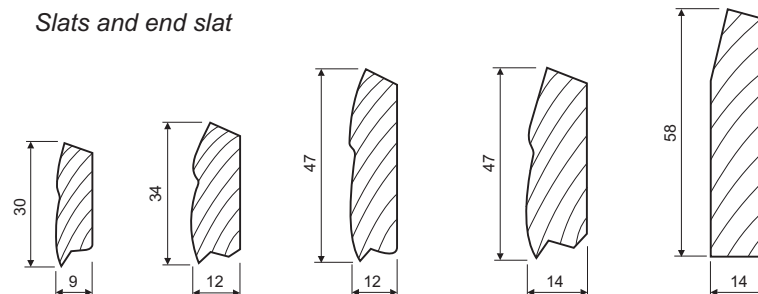
Slat 47/14 mm Shaft 60 mm	
Shutter height	Bale diameter
260 cm	25 cm
220 cm	24 cm
200 cm	23 cm
180 cm	21 cm
130 cm	20 cm
100 cm	16 cm

Slat 34/12 mm Shaft 60 mm	
Shutter height	Bale diameter
225 cm	22 cm
200 cm	20,5 cm
180 cm	19,5 cm
160 cm	18,5 cm
140 cm	18 cm
125 cm	17 cm

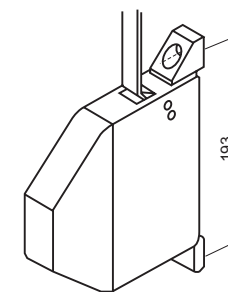
Slat 30/9 mm Shaft 40 mm	
Shutter height	Bale diameter
225 cm	18,5 cm
200 cm	17,5 cm
180 cm	17 cm
140 cm	15,5 cm
125 cm	14,5 cm
100 cm	13 cm

Slat 20/7 Shaft 40 mm	
Shutter height	Bale diameter
225 cm	16 cm
200 cm	15 cm
180 cm	14,5 cm
140 cm	13 cm
125 cm	12 cm
100 cm	12 cm

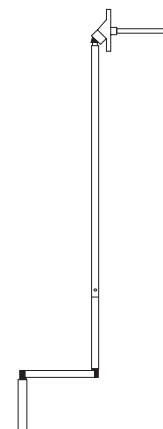
Slats and end slat



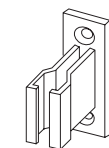
winder
- cord control



winder
- strap control



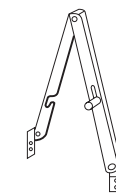
crank



crank holder

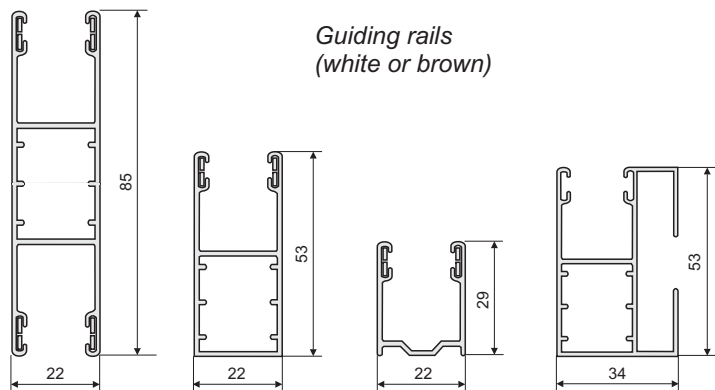


galvanised or
stainless coupling for slats

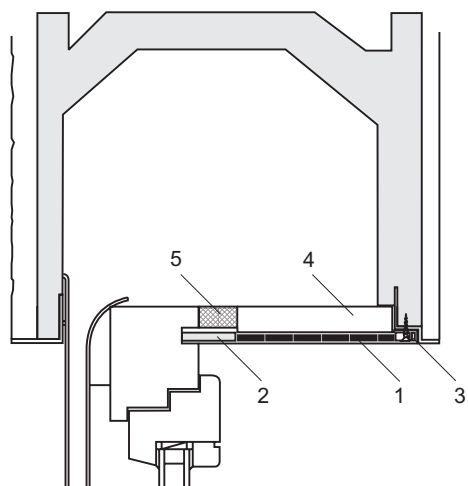


tipping holder



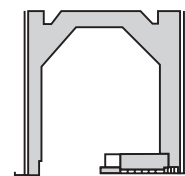


Guiding rails
(white or brown)

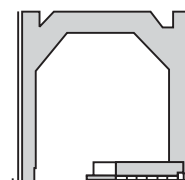


Example of installation in
a new building
rolling "inward"
with the polystyrene box

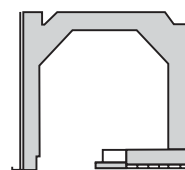
1. Cover (current width 18, 22 and 27 cm)
2. Springy element with styropore filling
3. The shutter cover adjoins to the shutter rabbet, where it is tight and permanently screwed
4. 20 mm styropore layer of the hard foam
5. New type of sealing from stable-elastic foam (between the styropore and the window frame)



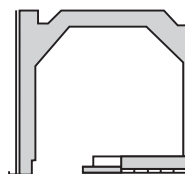
Type 200 ST
insulation
24 cm thick



Type 200 ST
masonry
30 cm

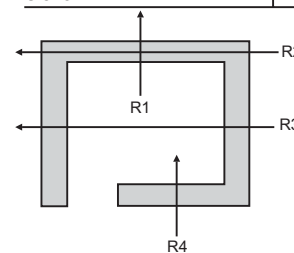


Type 200 ST
masonry 30 cm
25 cm high

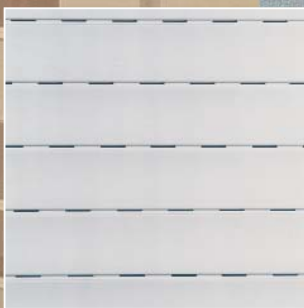


Type 200 ST
masonry
36 cm

outer dimensions in mm		inner dimensions in mm		calculating values acc. to VSVO 95			
width	height	width	height	Measure point			
				R1	R2	R3	R4
240	250	181	224	0,71	3,42	1,47	0,59
300	290	234	260	0,85	6,80	1,54	0,59
300	250	209	220	0,85	6,80	2,11	0,59
360	290	269	260	0,85	8,0	2,11	0,59



R - thermal permeability (measure point)



Ruční ovládání šňůrou nebo popruhem

Lamelly hliníkové s výplní PUR, hliníkové extrudované, PVC a dřevěné

Prosvětlovací otvory mezi lamelami při nedovřené roletě pro mnohoúčelové využití

Spojení rolety s předokenní sítí