

horizontální žaluzie

S LAMELOU 16, 25, 35 a 50 mm



KLASICKÉ STÍNĚNÍ PRO INTERIÉR A EXTERIÉR



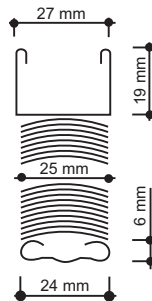
[®]
systra

www.systra.cz

BLINDS with slats 25 and 35 mm

Product Systra no. 22

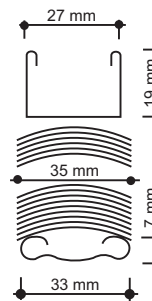
Minimum width 280 mm, maximum width 2900 mm, maximum height 3100 mm, maximum area cca. 6 m² (see data in the table pricelist). The width expresses the slat length, the height is including the head rail. Head rail with dimensions 27 x 19 mm, bottom rail 24 x 6 mm, slats **25 mm** wide and 0,18 - 0,215 mm thick.



25 mm	blind height "H" (mm)			
	500	1000	1500	2000
lifted bunch height "h" (mm)	46	64	82	100

Product Systra no. 32

Minimum width 280 mm, maximum width 3000 mm, maximum height 3400 mm, maximum area cca. 6 m². The width expresses the slat length, the height is including the head rail. Head rail with dimensions 27 x 19 mm, bottom rail 33 x 7 mm, slats **35 mm** wide and 0,2 - 0,22 mm thick.



35 mm	blind height "H" (mm)			
	500	1000	1500	2000
lifted bunch height "h" (mm)	42	58	74	90

Product Systra no. 25

Minimum width 350 mm, maximum width 2200 mm, maximum height 3000 mm, maximum area cca. 3 m². The width expresses the slat length, the height is including the head rail. Head rail with dimensions 25 x 25 mm, two-piece aluminium bottom rail 19 x 10 mm, slats **25 mm** wide and 0,18 - 0,215 mm thick. Slat lifting by cord (for CTS 25) or by tape (for winding mechanism ISOdesign).

Common specification:

Material: head and bottom rails of steel plate, varnished with coil coating on both sides, slats of Al-Mg-alloy, two-piece aluminium bottom rail for product no. 25

Colour: rails and accessories white or brown, slats acc. to the current offer

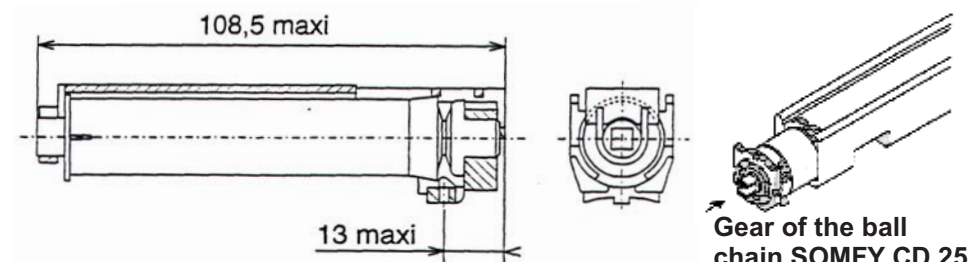
Control: depending on the blind type (version)

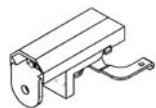
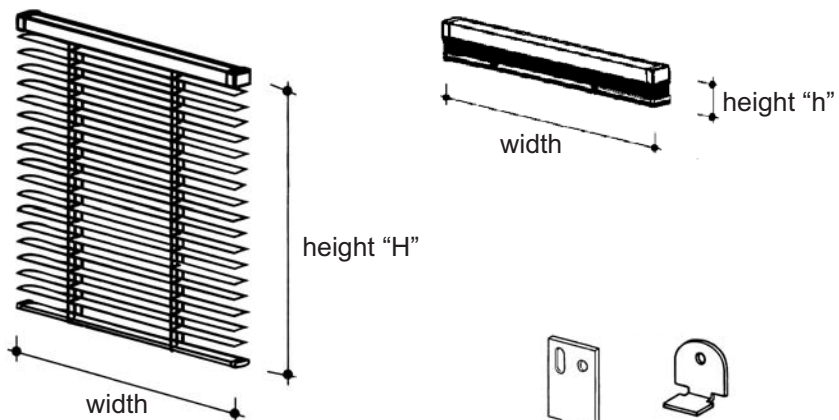
- inter-glass blind - side outlet with flexible joint, string bushing, slat lifting with cords without cord lock, tilting by torsion rod
- for double glassed windows - the same mode as at the previous type, slats are side-fixed (guided) by perlon strings
- interior blinds - slat tilting by PVC-coated wand or by hex hollow wand with worm gear, possibility of side fixation of slats by perlon strings
- for type no.25 - front or side outlet, slat lifting and tilting by the ball chain

Fixing: different kinds of brackets (clips) acc. to the blind type or assembling method

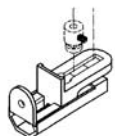
Application: sun protection and light regulation in interiors, shielding of window openings

Winding mechanism of the cord SOMFY CTS 25

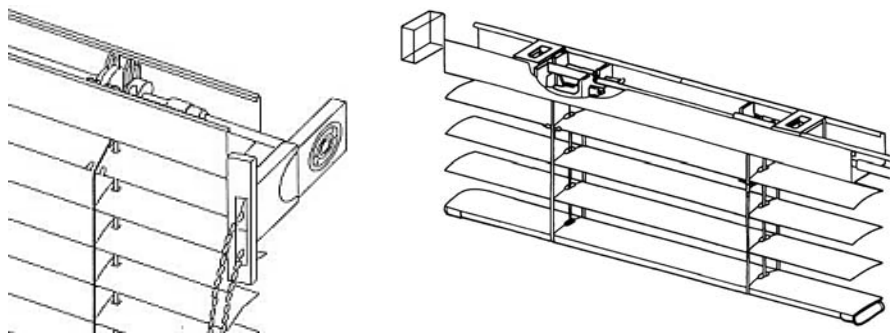
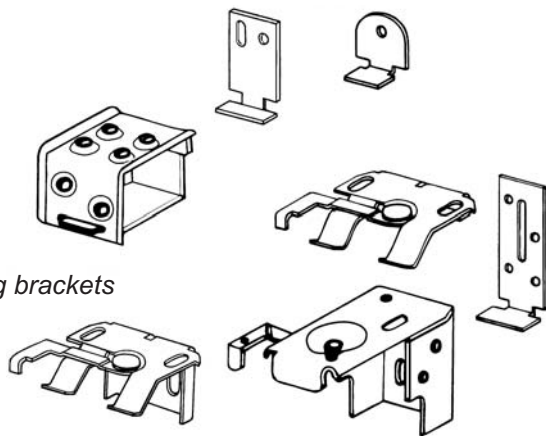




universal bracket
for windows without drilling
in the casing

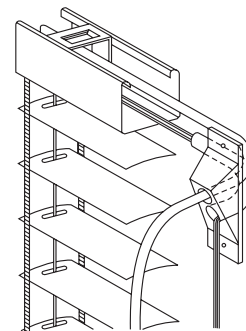


Mounting brackets

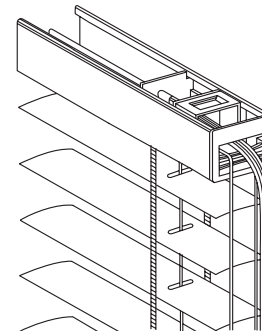


Assembly of the inter-glass blind (options)

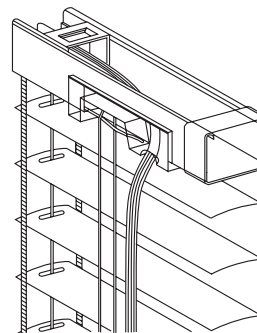
Blind types (versions)



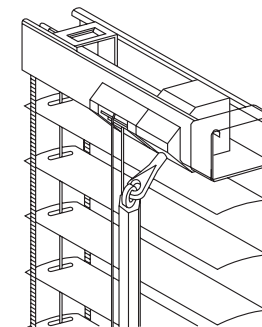
Type 1 - inter-glass blind



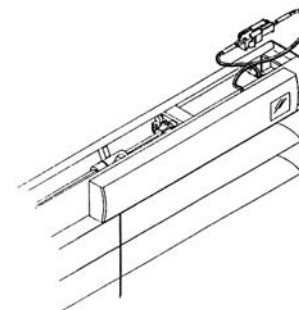
Type 2 - interior blind
with side outlet



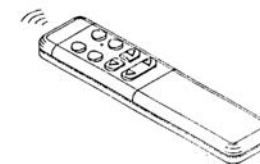
Type 3 - interior blind
with flexible joint



Type 5 - interior blind
with worm gear



motor with battery
remote control



BLINDS with slats 50 mm

Product Systra no. 51

Maximum width 3500 mm, maximum height 3000 mm, maximum area cca. 6 m² for the control with cord or ball chain, 8 m² for the control with crank.

The width expresses the slat length, the height is including the head rail, on the control side the gear of the endless cord (ball chain) exceeds the slat width by 20 mm.

Head rail with dimensions 40 x 40 mm, bottom rail 50 x 13 mm, slats 50 mm wide.

Material: head and bottom rails of steel plate, varnished with coil coating on both sides, slats of Al-Mg-alloy.

Colour: accessories white or brown, rails acc. to RAL, slats acc. to the current offer

Basic version: manual control by endless cord (tilting and lifting of the slats)

Extra version: control by crank, el. drive (220V) with button control, group control of more blinds, remote control

Fixing: to the wall or ceiling by standard brackets

Product Systra no. 52

Maximum width 2500 mm, maximum height 2500 mm, maximum area 5 m².

The width expresses the slat length, the height is including the head rail, head rail length individually acc. to the assembling method.

Head rail with dimensions 40 x 40 mm, bottom rail 50 x 13 mm, slats 50 mm wide.

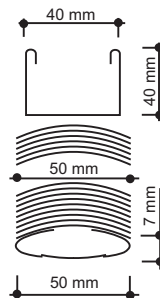
Material: head and bottom rails of steel plate, varnished with coil coating on both sides, slats of Al-Mg-alloy.

Colour: accessories white or brown, rails acc. to RAL, slats acc. to the current offer

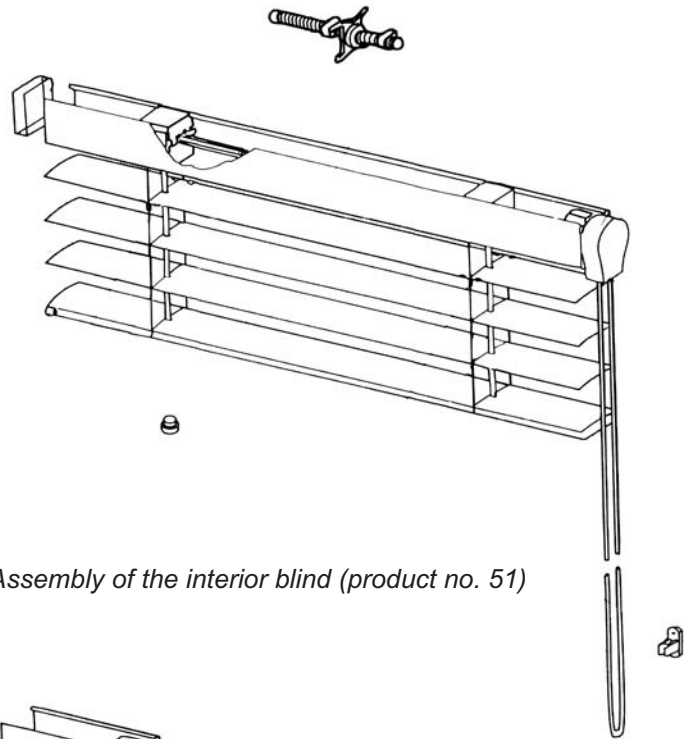
Basic version: manual control by endless cord (tilting and lifting of the slats), side guiding with perlon strings

Extra version: control by crank, el. drive (220V) with button control, group control of more blinds, sun - wind automatics, remote control, aluminium housing for the head rail (and slat bunch), side guiding with PVC-coated steel strings

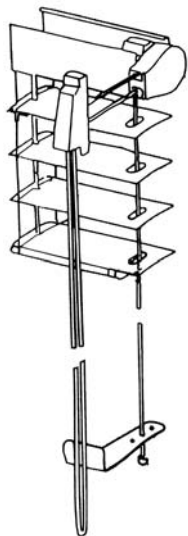
Fixing: to the wall or ceiling by special brackets



50 mm	blind height "H" (mm)				
	1000	1500	2000	2500	3000
lifted bunch height "h" (mm)	107	121	135	149	163

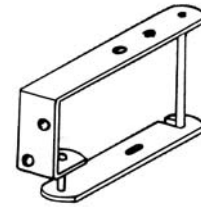


Assembly of the interior blind (product no. 51)

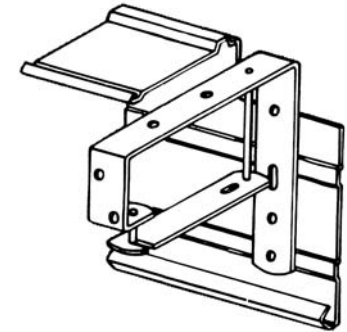


Assembly of the exterior blind (product no. 52)

Blind brackets

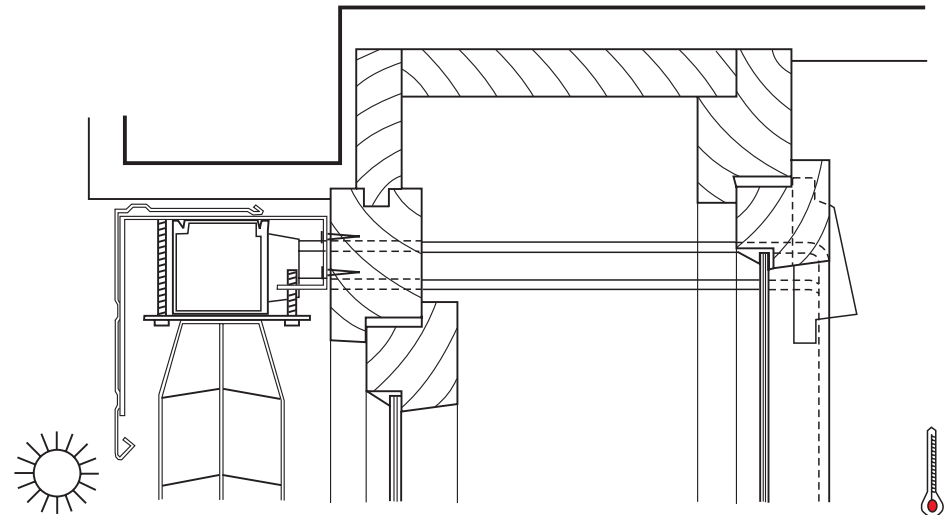


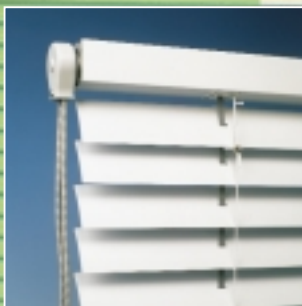
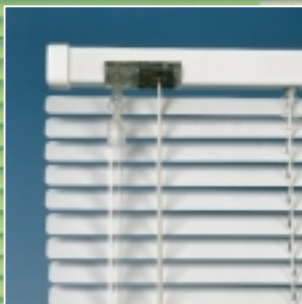
without housing



with housing

Detail of the fixing - wainscotted window





Žaluzie s int. vývodom
s pružnou spojkou
a šnúrovou brzdou

Žaluzie s int. vývodom
s kardanem a šnúrovou
brzdou

Žaluzie s lamelou 50mm
ovládaná nekonečnou
šnúrou-vhodná do interiéru
i exteriéru